



Feature

- Interface: Compatible with EIA/TIA RS-232C, RS-485/RS-422
- Electric interface: RS-232 is RJ-45 connector, Equipped with DB9 convert cable. RS-422/485 is DB9 connector and terminal block
- Transmission media: Twisted-pair cable or shielded cable
- Operation mode: Asynchronous half or full duplex
- Load capacity: Point to multi-point, allow to connect 256 RS-422 or RS-485 interface device
- Direction control: Automatic direction control of transmitting data (TXD), zero-latency design
- Signal indication: 3 signal indication lights indicate TXD RXD and PWR
- Power supply: external power supply for RS-232. DC/DC Isolation power supply for RS-422/485.
- Isolation: Isolation voltage 3500VRMS 500VDC sequence
- Protecting grade: RS-232 interface 600W lightning strike and surge protection, RS-422, RS-485 interface 1000W lightning strike and surge protection on each line
- Transmission speed: 0-115.2kbps
- Transmission distance: 0-5 km
- Working environment: -20℃ to 70℃, 5% to 95% relative humidity
- Product appearance:
 - Support standard DIN-rail, easy to install and fix.
 - Full metal housing, anti-static, powerful anti-jamming
 - 100 x 86 x 26mm

Introduction

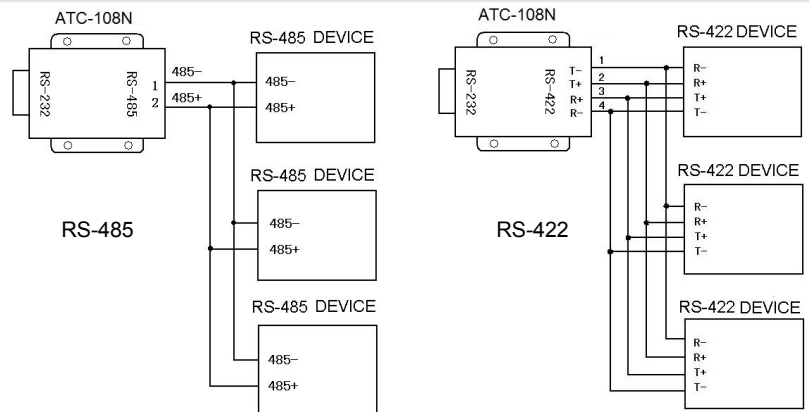
ATC-108N Isolation Interface Converter is compatible with RS-232C, RS-422, RS-485 standards and capable of converting single end RS-232 signal into RS-422 or RS-485 signal of balanced signal. The built in photoelectric isolator can offer 3500V isolation voltage and the rapid Transient Voltage Suppressor (TVS) can effectively inhibit lightning and ESD, prevent lightning strike and common code interference.

Connect PC,IPC,or portable computer via a DB9 female connector at RS-232 interface, and connect RS-422, RS-485 end via convenient 4-bit terminal. The RS-485 supports dual-line half duplex.The inner circuit of ATC-105 Photoelectric Isolation Interface Converter can detect data direction and switch to control it automatically, conveniently to form a RS-485 network without any shake hand signal. This kind of RS-485 control is fully transparent and need no software amendment for the former working modes basing on RS-232.

ATC-108N Photoelectric Isolation Interface Converter can provide credible connection for point to point, point to multi-point communication. The point to multi-point allows connecting 256 RS-422 or RS-485 interface devices with data transmission speed of 0-115.2KBPS. The 3 power supply and data flow indication light can indicate malfunction. It supports communication modes including RS-232C to RS-422, RS-232 to RS-485 conversion.

Application

- Point to point, point to multipoint communication
- Industrial distribution system, industrial control automation
- Road traffic control automation
- Closed circuit monitoring
- Security protection system
- Intelligent card, check on work attendance gate safety system



Order information

ATC-108N RS-232 to RS-422/485 Industrial Class Wall-mounted Photoelectric Isolation Interface Converter (DC isolation)

Contact us

Shenzhen ATC Technology Co., Ltd

Room 803, Block B, Building 4, Tian'an Cyber Park, Longgang District, Shenzhen,China,518172

Tel: +86-755 - 8345 2531 / 8345 3318

Fax: +86-755-2899 8985

E-mail: tech@szatc.com

Website: www.szatc.com