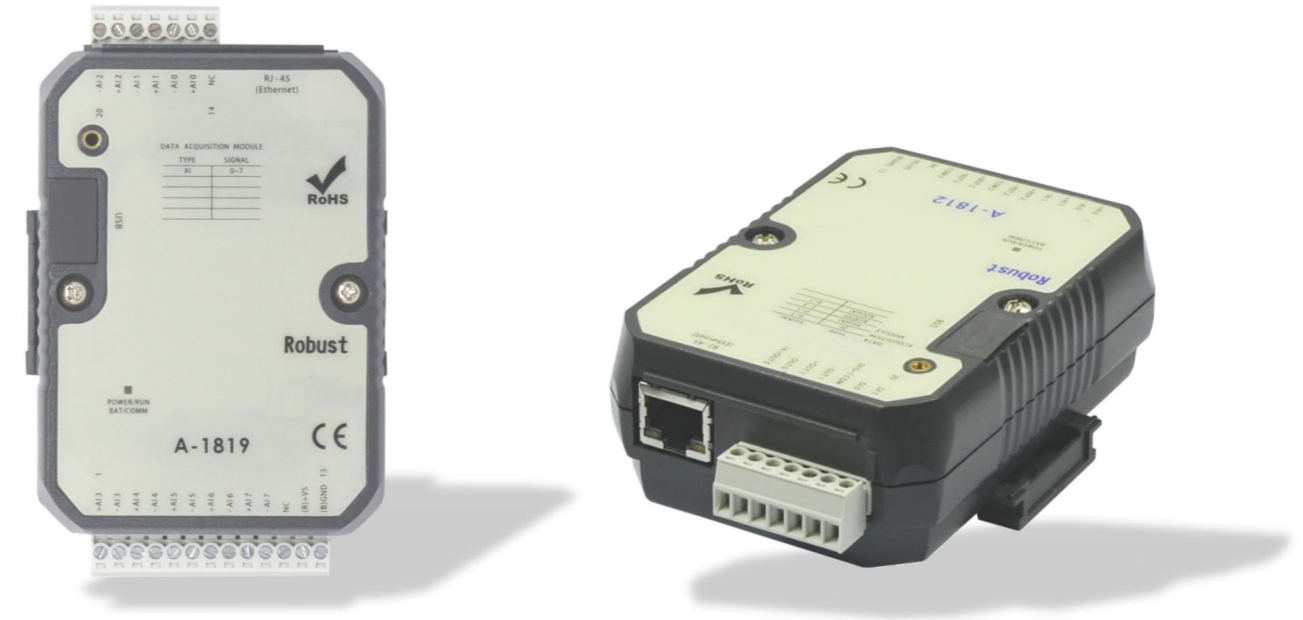


ATC Industrial remote Ethernet I/O module is an industrial class. High reliability, high stability and high precision data acquisition module. Embedded ARM-Cortex-M4 MCU (ST). Integrated 1-Port Industrial 10/100M Ethernet port. It provides multi I/O with digital input/output and analog input/output. It support MODBUS TCP protocol. The user's can through IPC or DCS controller communication with Ethernet I/O module and support 7 independent TCP socket connection.

It's design for working in the harsh industrial application environment. Such as industrial automation, factory automation, building automation, automatically measurement and control system.



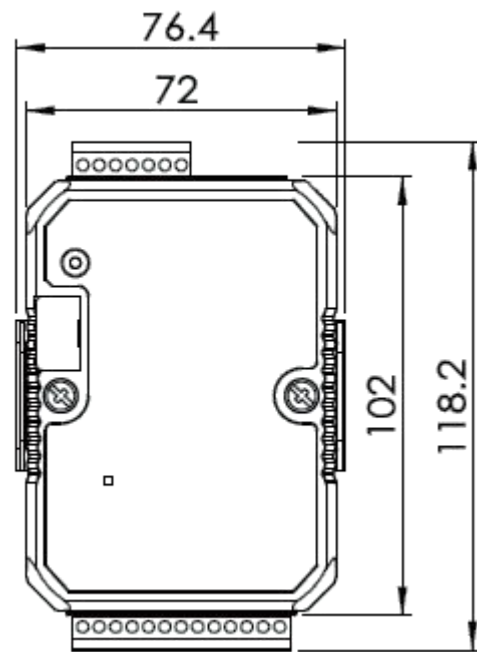
■ Ethernet I/O Module

Part No.	A-1855		A-1855S	A-1860		A-1851		A-1869	A-1812		A-1819
Digital Inputs	8 DI	Status Low: <1VDC		8 DI	Status Low: <1VDC		16 DI	—	2 DI	Status Low: <1VDC	
		Status High: >5~30VDC			Status High: >5~30VDC					Status High: >5~30VDC	
DI Isolation	YES (5000VDC)										
DI Operating Frequency	10Hz										
Digital Outputs	4 DO Motor Driver		4 DO Source	4 DO Power Relay		—		8 DO Power Relay		—	
DO Continuous Current	8~60VDC(1.75A)		10~40V(1A)	250VAC(7A)/30VDC(7A)		—		250VAC(7A)/30VDC(7A)		—	
Analog Inputs	—		—	—		—		—		4 AI (16bit)	
Analog Input Type	—		—	—		—		—		2*0/4-20mA + 2*PT100/1000(-200 ~ +600°C)	
Analog Outputs	—		—	—		—		—		2 AO (12bit)	
Analog Output Type	—		—	—		—		—		0/4~20mA	
Analog Input Impedance	—		—	—		—		—		Current: 100Ω RTD: 10MΩ	
Analog Input/Output Accuracy	—		—	—		—		—		±0.1% / ±1%	
Channel Independent Configuration	Yes										
AI Sampling Rate	10 sample/second (Total)										
CMR @ 50/60 Hz	120 dB										
Span Drift	±50 ppm/°C										

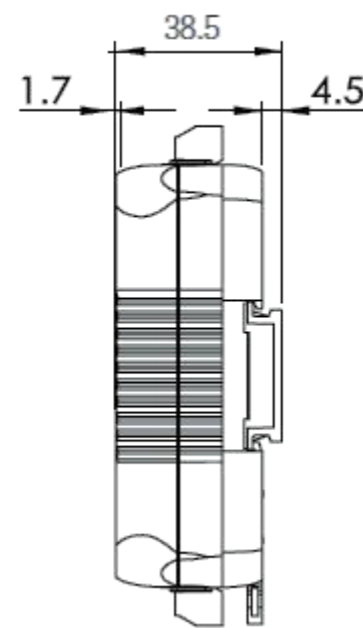
A-18xx Series Ethernet Remote I/O Module

Zero Drift	±18 μV/°C					
AI Temperature Ranges	(PT-100:-200~+600°C) (PT-1000:-200~+600°C) (J:-210~760°C) (K:-270~1,370°C) (T:-270~400°C) (E:-270~1,000°C) (R:0~1,750°C) (S:0~1,750°C) (B:0~1,800°C) (Thermistor-10K-T2:0~100°C) (Thermistor-10K-T3:0~100°C) (Thermistor-6.8K:-10~100°C) (Thermistor-4.7K:-10~100°C) (Thermistor-3.3K:-20~100°C) (Thermistor-3K:-20~100°C) (Thermistor-2.7K:-20~100°C) (Thermistor-2.252K:-20~100°C) (Thermistor-2.1K:-30~100°C) (Thermistor-2K:-30~100°C) (Thermistor-1.5K:-40~100°C) (Thermistor-1K:-40~100°C)					
Protocol	MODBUS TCP/IP 10/100Mbps					
Communication Interface	Ethernet + USB					
Operation Voltage	10 ~ 30VDC/24VAC					
Operation Temperature	-20 to +75°C					
Degree Of Protection	IP20					
Installation	35 mm DIN rail / Flush mounting					
Dimension (W×H×D)	76.4*118.2*38.5 mm					
Weight (kg)	0.25	0.25	0.3	0.35	0.25	0.25

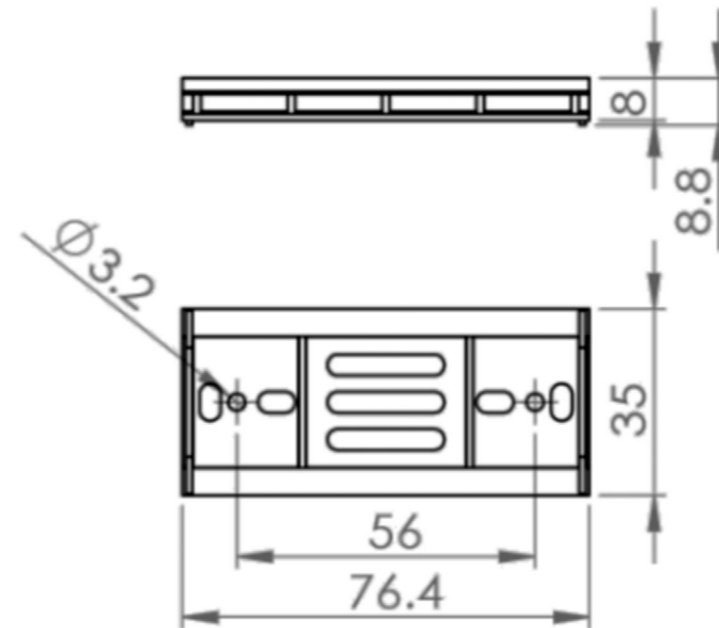
■ Dimension(mm):



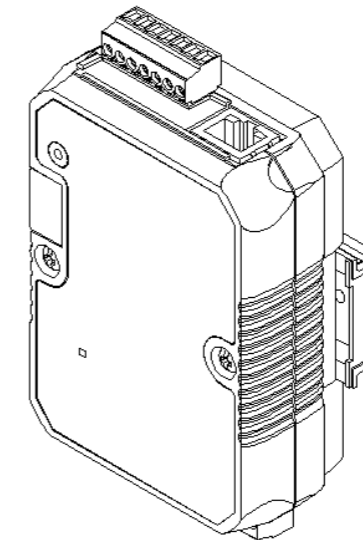
● Top view



● Side view

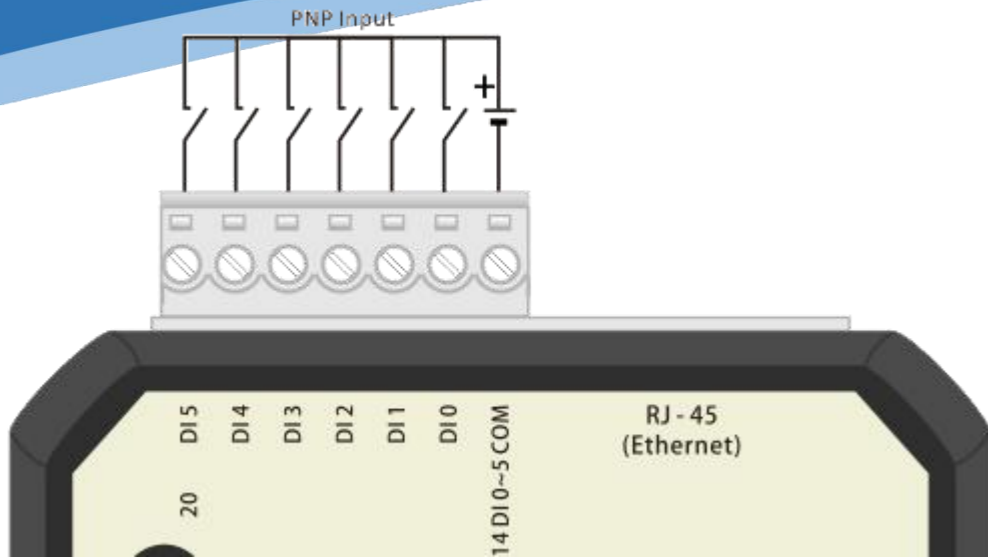


● Accessory rail

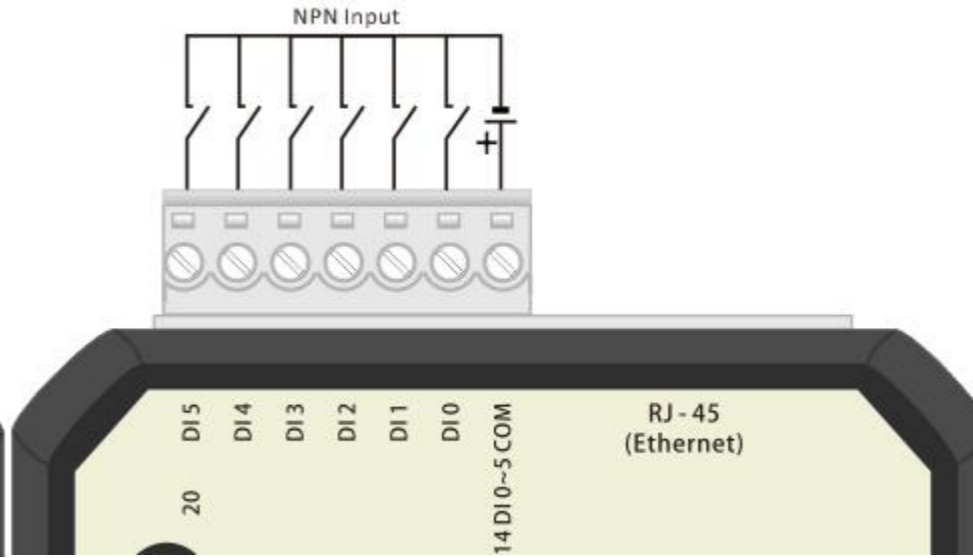


● 3D view

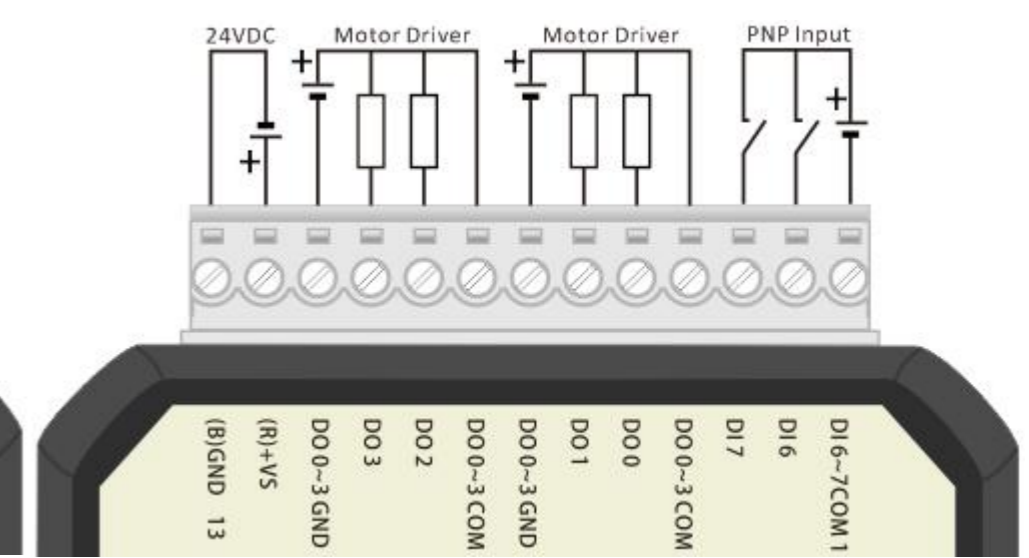
■ Wire Diagram



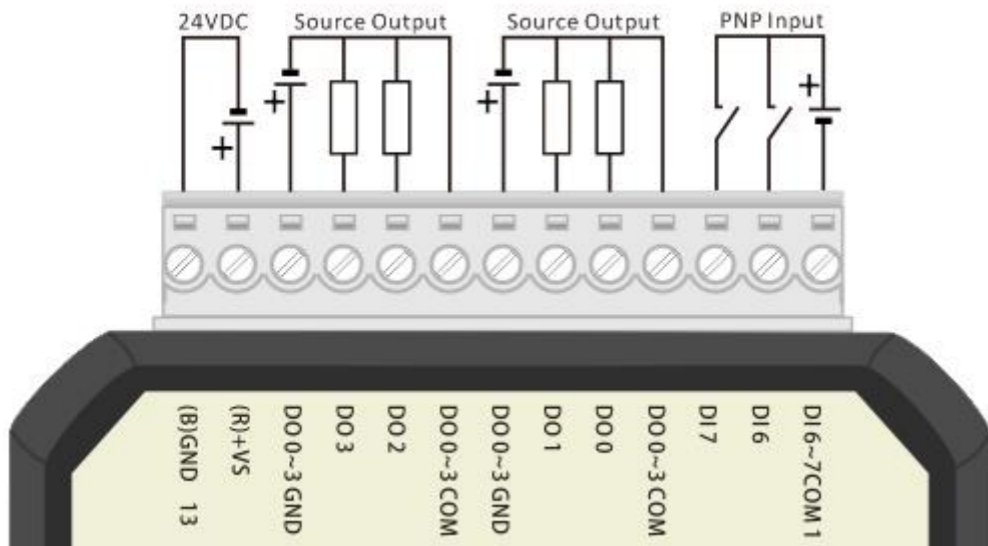
A-1855/A-1855S/A-1860



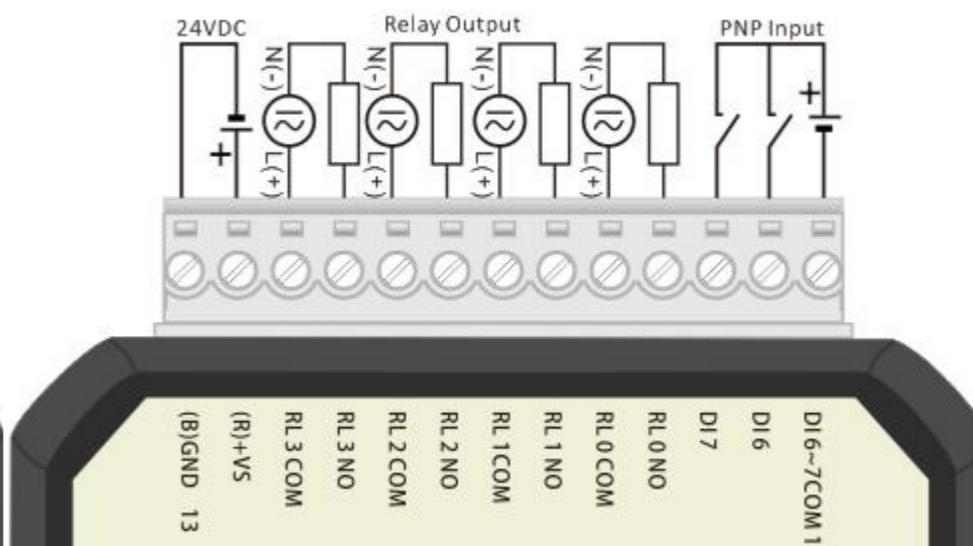
A-1855/A-1855S/A-1860



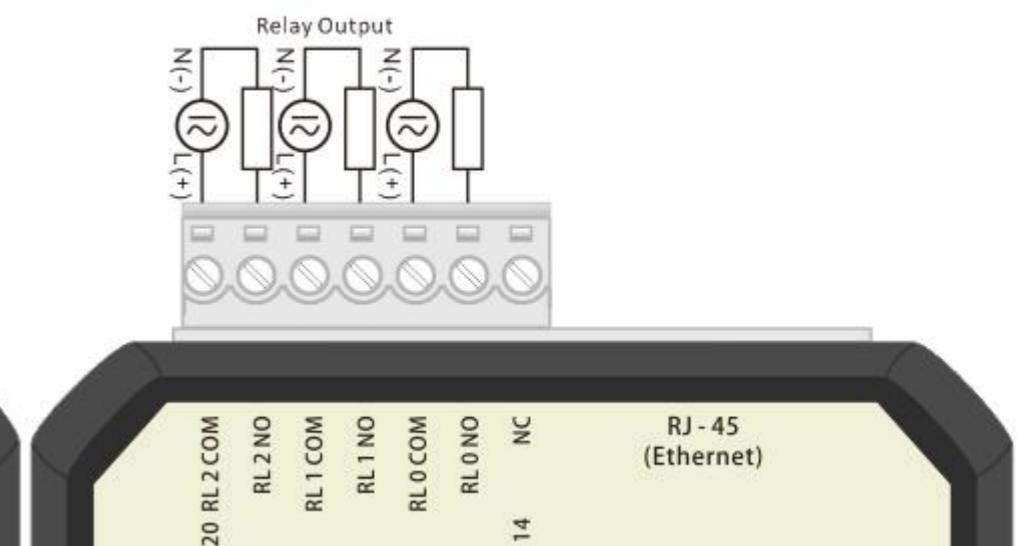
A-1855



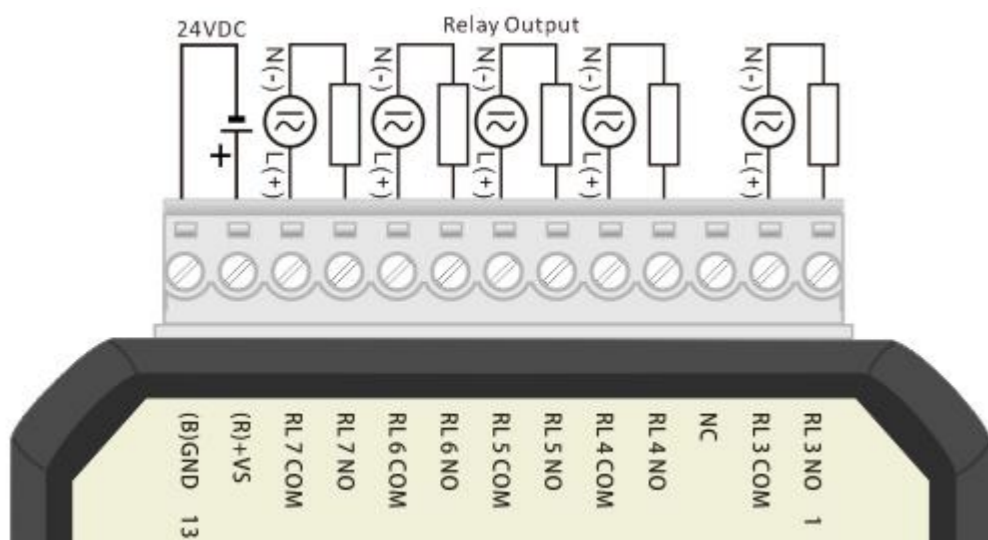
A-1855S



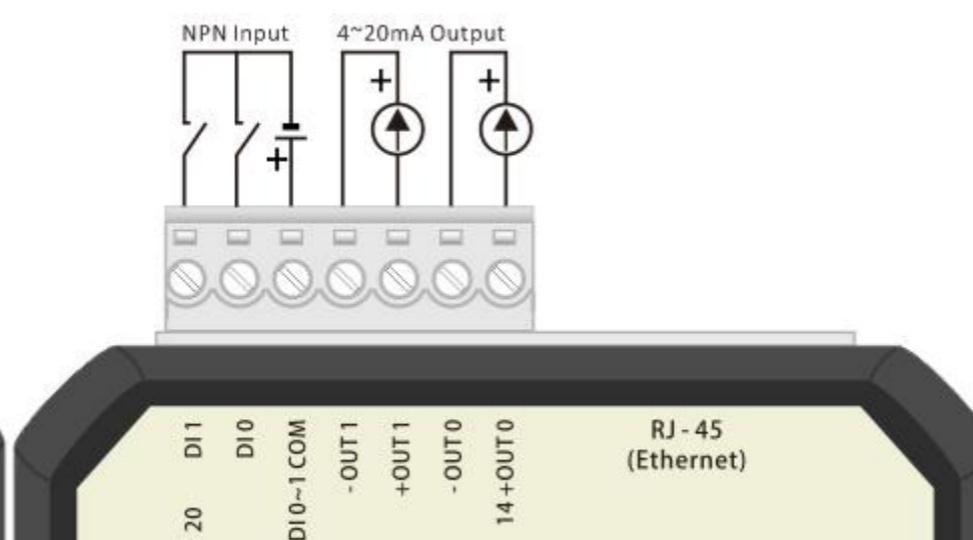
A-1860



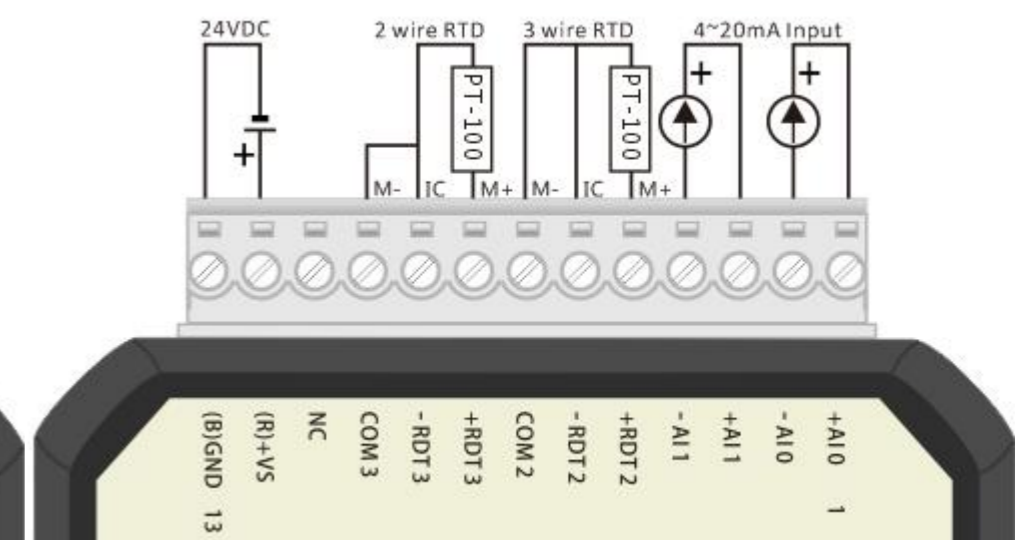
A-1869



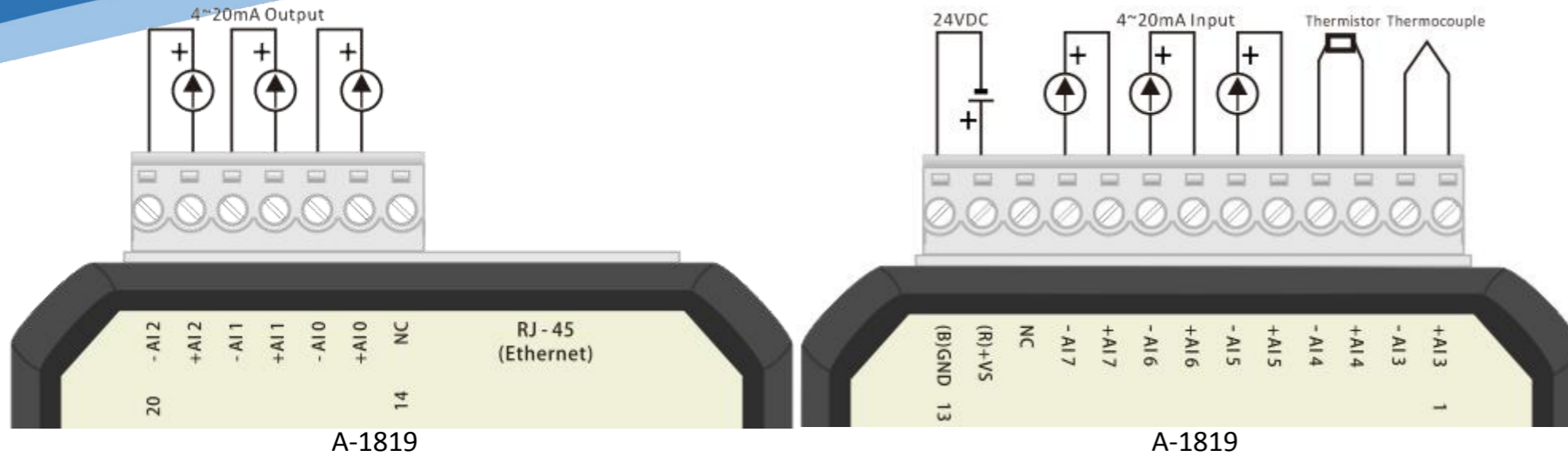
A-1869



A-1812



A-1812



Contact us

Shenzhen ATC Technology Co., Ltd
 Add. Room 803, Block D, Building 16, South Station Enterprise City, Port Road Nanhai District, Foshan, China, 528251
 Tel: (86 757) 8676 7929
 Website: www.szatc.com
 E-mail: sales@szatc.com

